



Needle valve :



The needle valve is named for the conical stem that acts as a plug over a small diameter orifice. It can function as a restriction fitting, but with the possibility of regulating the choke in the passage section.

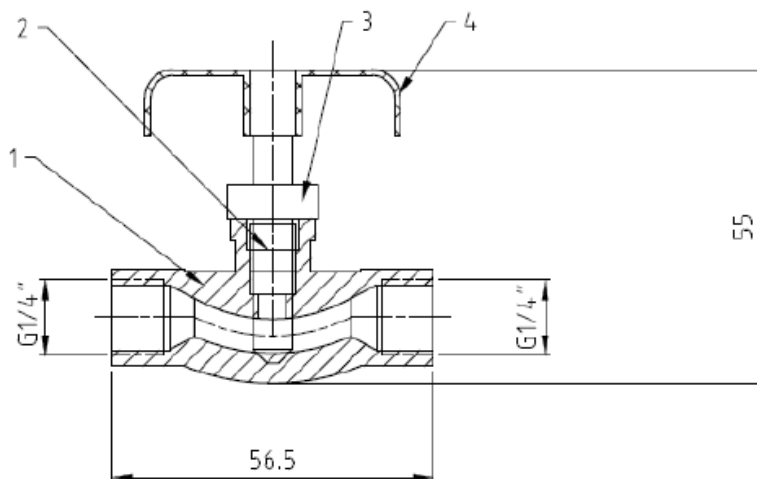
The movement of the stem, which has a fine thread, is slow and the fact that until it is turned a good number of turns the fluid passage section is minimal, makes this valve a good flow regulator, due to its stability, precision and the design of the shutter that facilitates a good metallic seal. Designed and manufactured by ROMYSPAN.

CHARACTERISTICS

Component	Material
P.N.	16 bar
Reference	ACO2286
Side threads	1/4" BSP female

MATERIALS AND MEASUREMENTS

Component	Material	Nickel
Body (1)	plated brass	Brass
Axle (2)	Brass	Plastic EPDM
Nut (3)	rubber	
Crank (4)		
Together		





Hidráulica Romyspan se exime de responsabilidad respecto a errores de la información expuesta en este documento, la cual podrá ser modificada sin previo aviso. Todos los derechos están reservados. ©Copyright.

HIDRÁULICA ROMYSPAN S.L.
C/Bogotá s/n nave 1-2-3
Pol. Ind. LA SERRETA
MURCIA (30500)
España

TEL: +34 968 80 94 87

