

# SLOTTED COUPLING :



Designed for joining grooved ends. Provides a self-centering joint and avoids the use of special supports and expansion joints.

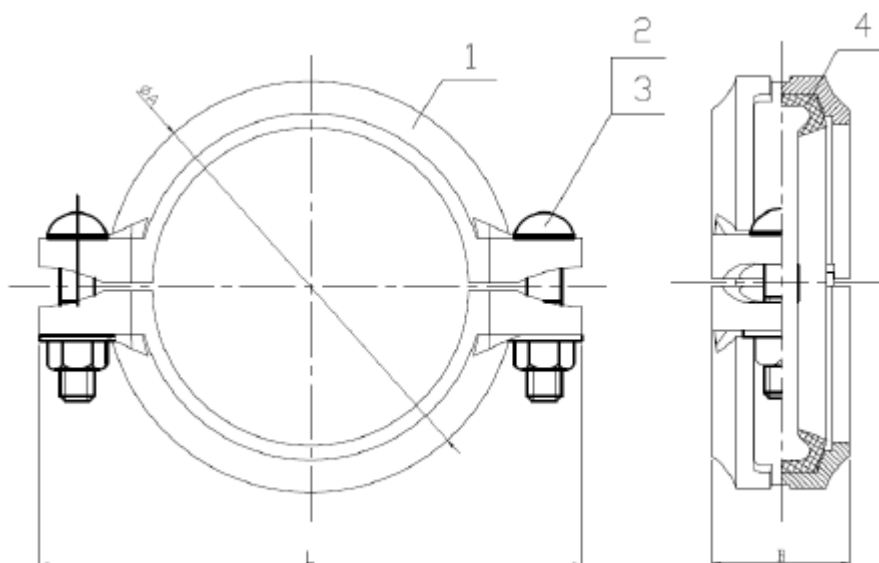
Designed and manufactured by ROMYSPAN.

## MATERIALS

Component	Material
Body (1)	Ductile cast iron, with epoxy-polyester paint coating
Screw, nut (2,3)	Galvanised steel
Sealing gasket _ (4)	EPDM

## CHARACTERISTICS

D.N. (inches)	REF.	P.N. (bar)	TO (mm)	b (mm)	l (mm)	You / box	Weight/unit (kg)	0.67
3 4 6	CM43102	16 16	84 98	45 45	127	60 40	0.98	1.11
(168.3)	CM43103	16 16	110	45 48	140	30 20	1.80	
	CM43104		144		156			
	CM43105				190			





Hidráulica Romyspan se exime de responsabilidad respecto a errores de la información expuesta en este documento, la cual podrá ser modificada sin previo aviso. Todos los derechos están reservados. ©Copyright.

HIDRÁULICA ROMYSPAN S.L.  
C/Bogotá s/n nave 1-2-3  
Pol. Ind. LA SERRETA  
MURCIA (30500)  
España

TEL: +34 968 80 94 87



[www.romyspan.com](http://www.romyspan.com)

La empresa se reserva el derecho de modificar las especificaciones sin previo aviso.  
(The company reserves the right to change specifications without previous notice)

[info@romyspan.com](mailto:info@romyspan.com)

